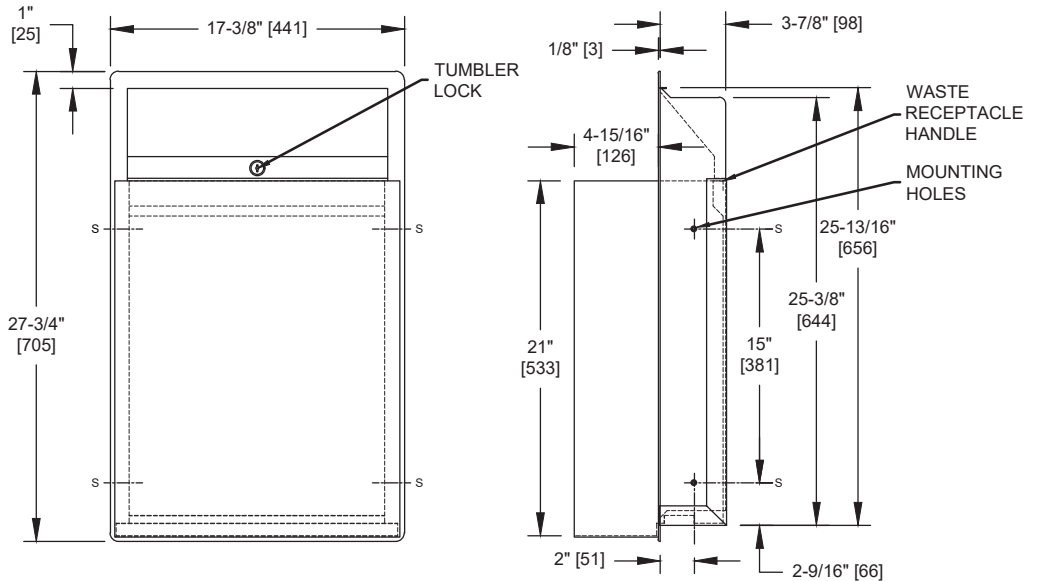


**ROVAL™ Semi-Recessed Removable Waste Receptacle**

Waste Receptacles

Roval

MasterFormat Section 10 28 13



Scan for Information



**SUSTAINABILITY/LEED**

MR 4.1 (1) MR 6 (1) EQ 4.2 (1)  
MR 4.2 (1) EQ 4.1 (1) EQ 4.4 (1)

**NOTE:**  
ALL DIM'S INCH [MM]  
ILLUSTRATION FOR REF ONLY AND NTS

**PRODUCT OVERVIEW**

Easy maintenance—removable stainless steel waste receptacle locks into cabinet with a tumbler lock for security. Capacity 11.2 gal. (42.6 L). Fabricated of 20 gauge type 304 stainless steel with satin finish. Waste receptacle is emptied manually. Disposable liner bags (by others) may be purchased to hang on internal hooks or may be draped over rim and held in place when receptacle is locked into cabinet. Keyed tumbler lock prevents unauthorized removal.

**KEY FEATURES & SPECIFICATIONS**

- Curved front adds strength and elegance
- Removable Waste Can
- Type 304 Stainless Steel - Satin Finish
- Semi-Recessed
- 11.2 Gal. (42.6L) Waste Capacity

**OPERATION & MAINTENANCE**

Waste receptacle is emptied manually on cycle determined by maintenance requirements. Disposable liner bags (by others) may be purchased to hang on internal hooks or may be draped over rim and held in place when receptacle is locked into cabinet. Keyed tumbler lock prevents unauthorized removal.

**TECHNICAL INFORMATION / PRODUCT PROPERTIES**

Property	Value
Dimensions	17-3/8" [441] W x 27-3/4" [705] H x 8-15/16" [227] D
Construction	Type 304 Stainless Steel - Satin Finish
Mounting	Semi-Recessed
Capacity	11.2 Gal. (42.6L) Waste Capacity

**INSTALLATION**

Mount unit in wall recess using # 10 self-threading flat head screws (by others) through concealed mounting holes provided. For compliance with 2010 ADA Accessibility Standards, install unit with top edge no higher than 48" [1219] Above Finished Floor (AFF). Note that top of Rough Wall Opening is 7/8" [22] below top of unit.

Rough Wall Opening (RWO) required is 15-3/4" [400] W x 26" [660] H x 3-15/16" [100] D minimum

**OPTIONS**

N/A

**WARRANTY**

One (1) Year from date of Invoice