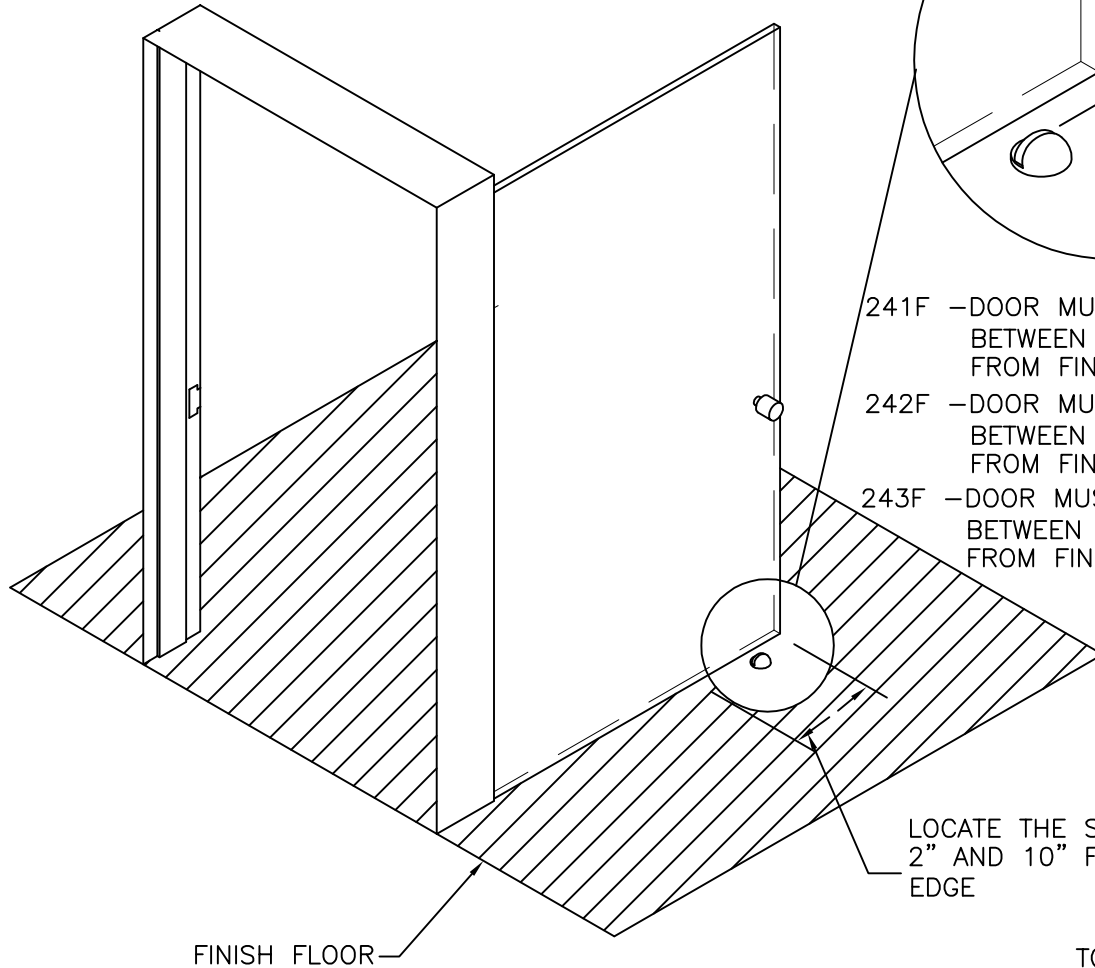


# INSTALLATION INSTRUCTIONS

## 241F, 242F, 243F

PART NO. DOME STOP INSTALL  
REV 1



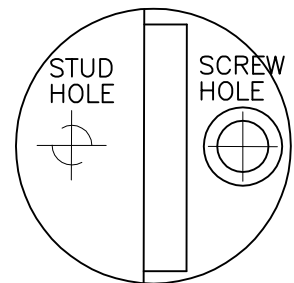
241F -DOOR MUST BE MOUNTED BETWEEN 3/16" AND 5/8" FROM FINISH FLOOR.

242F -DOOR MUST BE MOUNTED BETWEEN 1/4" AND 1-1/8" FROM FINISH FLOOR.

243F -DOOR MUST BE MOUNTED BETWEEN 1/2" AND 15/16" FROM FINISH FLOOR.

LOCATE THE STOP BETWEEN 2" AND 10" FROM LOCKSIDE EDGE

TOP VIEW



1. OPEN DOOR TO DESIRED POSITION
2. SLIDE STOP UNDER THE DOOR SO THAT THE BUMPER IS FLUSH AGAINST BACKSIDE OF DOOR
3. ONCE STOP IS LOCATED, MARK HOLE CENTERS
4. DRILL STUD HOLE APPROX. 1" DEEP WITH 9/32" DRILL BIT
5. DRILL SCREW HOLE 1-1/2" DEEP WITH 5/16" DRILL BIT.  
FOR CONCRETE FLOOR, DRILL 1" DEEP WITH 1/2" DRILL BIT
6. TAP PLASTIC ANCHOR INTO 5/16" HOLE AND SECURE STOP.  
FOR CONCRETE FLOOR, TAP LEAD ANCHOR INTO 1/2" HOLE AND SECURE STOP



HAGER HINGE CO.  
139 Victor St.  
St. Louis, MO 63104

### SPECIFICATIONS

| NO | REVISIONS    | BY  | DATE     |
|----|--------------|-----|----------|
| 1  | FOR COMPUTER | JAH | 08.13.09 |
| 2  | PER CT09001  | MJ  | 08.13.09 |

JAH NONE 08.13.09

### 241F, 242F, 243F DOME STOP INSTALLATION INSTRUCTIONS

PART NO. DOME STOP INSTALL  
REV 1