

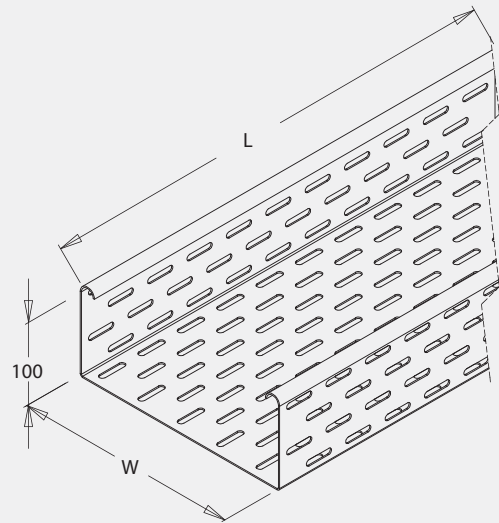
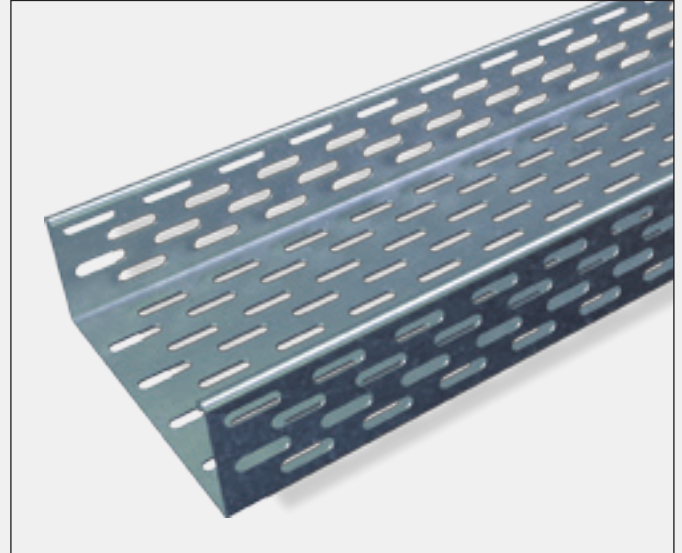
HCT - 100

Heavy Duty - 1.50 mm Thickness

(Side Height 100 mm)

Thickness : 1.50 mm
 Side Height : 100 mm
 Length : 2440 mm / 3000 mm
 Width : 100 - 700 mm
 Safety : 1.5

Item Code	Cable tray	Support distance (m)	Load kN/m
SVCTBS_F_00001330	HCT 100 - 100	1.00	1.50
	width (w) : 100 mm	1.20	1.50
		1.50	1.50
		2.00	1.50
SVCTBS_F_00050097	HCT 150 - 100	1.00	1.50
	width (w) : 150 mm	1.20	1.50
		1.50	1.50
		2.00	1.50
SVCTBS_F_00107353	HCT 200 - 100	1.00	1.50
	width (w) : 200 mm	1.20	1.50
		1.50	1.50
		2.00	1.50
SVCTBS_F_00016678	HCT 225 - 100	1.00	1.50
	width (w) : 225 mm	1.20	1.50
		1.50	1.50
		2.00	1.50
SVCTBS_F_00083593	HCT 300 - 100	1.00	1.50
	width (w) : 300 mm	1.20	1.50
		1.50	1.50
		2.00	1.50
SVCTBS_F_00010462	HCT 400 - 100	1.00	1.50
	width (w) : 400 mm	1.20	1.50
		1.50	1.50
		2.00	1.35
SVCTBS_F_00065369	HCT 450 - 100	1.00	1.50
	width (w) : 450 mm	1.20	1.50
		1.50	1.50
		2.00	1.00
SVCTBS_F_00058315	HCT 500 - 100	1.00	1.00
	width (w) : 500 mm	1.20	1.00
		1.50	1.00
		2.00	0.80
SVCTBS_F_00048558	HCT 600 - 100	1.00	0.80
	width (w) : 600 mm	1.20	0.80
		1.50	0.80
		2.00	0.50
SVCTBS_F_00150117	HCT 700 - 100	1.00	0.70
	width (w) : 700 mm	1.20	0.70
		1.50	0.60
		2.00	0.30



Width (mm)	Order Example				
	Item	(h)	(w)	(t)	Type
100	HCT100	0100	0100	3	RFI
150	HCT100	0100	0150	3	RFI

Order Example:
 HCT100 - Side height (h) - Width(w) - Thickness - Side type
 For more ordering details, please check page 84-85