

FLOS

|| F0300000 Steel

Arco

Designed by Achille and Pier Giacomo Castiglioni, 1962

Halogen - 70W



Floor lamp providing direct light. White Carrara marble base. Satin-finish stainless steel telescopic stem. Pressed, polished and zapon-varnished aluminum swiveling and height-adjustable reflector.

Are you a professional and your project needs consulting and support?

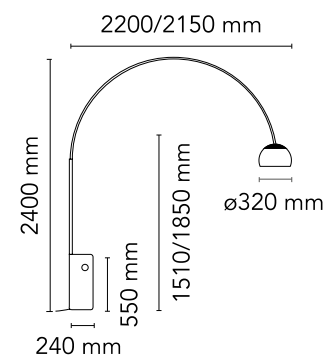
[BOOK AN APPOINTMENT](#)

Main specifications

EAN	8059607000946
Mounting	Floor
Environment	Indoor dry location
Light source type	Bulb
Lamp category	Halogen
Lamp holder	E27
Ilcos	HSGSA/S
Number of heads	1
Power (W)	70

Physical

Colour	Steel
Cord length (mm)	2700
Net weight (kg)	63.4
Package volume (m3)	0.13
IP	20

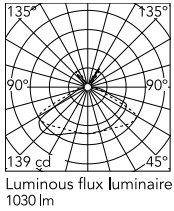


Download

Mounting instructions	↓ PDF
Mounting instructions	↓ PDF
Spare Parts	↓ PDF



Schematic light drawing



Photometric

Lighting type	Direct
Light distribution	Asymmetric

Electrical

Insulation class	II
Frequency (Hz)	50/60
Main voltage (Vac)	220-250
Cord length (mm)	2700
Plug type	Type C
Batteries inside	No
Charging min time	No

Bulbs



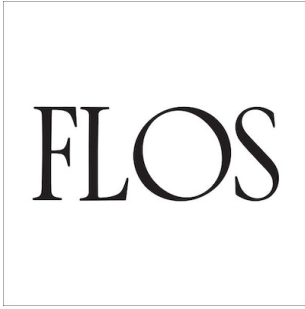
NOT INCLUDED

RF32771

LED Lamp 11W lm E27 220-240V

2700K A60

Spare Parts



F0320000

Enec reflector and grid



F0310000

Marble base



F0330000

Stem and channels Enec assembly with on/off switch



RF04392

Black d/661 on-off switch



RF00797

Polished reflector



RF01411

Polished grid



RF02593

Anodized sleeve



RF02970

Long inox channel



RF04724

Electrical wiring assembly with on-off switch



RF02971

Medium inox channel



RF02972

Small inox channel with lamp holder integrated



RF0300100

Fixing screw with joint



RF0300200

Pins and screw set



RF21041

Inox stem



RF0300300

Lamp holder with joint