



MODEL:

BaSix BSXJTS600

# BASIX



Janitorial Sink. Stainless steel construction (600mm deep) with monobloc mixer tap

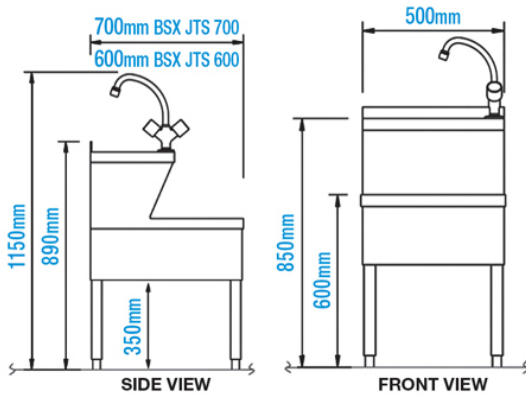
**Basin Range:** Janitorial Sink

**FEATURES & BENEFITS**

- Lift-out (removable) mop strainer..
- Waste fittings (excluding trap).
- Adjustable feet.
- Removable rear legs.
- Bracket supplied for easy installation on coved walls.

**TECHNICAL INFO**

- Dimensions: Hand-wash bowl: 430 (max) x 280 x 130 deep. Mop bowl: 400 x 400 x 200 deep.



Dimensions are in millimeters. If a Cad file is required please visit [www.mechline.com](http://www.mechline.com).



MECHLINE DEVELOPMENTS LIMITED

Tel: +44 (0)1908 261511 | Email: [info@mechline.com](mailto:info@mechline.com) | Web: [www.mechline.com](http://www.mechline.com)