



MODEL:

**AquaTechnix TX-B-308LF**

# AQUATECHNIX

AquaTechnix LEVER operated faucet TX-B-30 base with 200mm low profile swivel spout. H: 163mm

**Accreditation:** WRAS

**Base:** TX-B-30

**Connection(s):** ½-inch

**Controls:** Lever

**Model Range:** TX-30

**Mount:** Deck mounted

**Pedestal:** Twin Hole

**Spout:** 200mm low profile

**Tap Type:** Twin Mixer

**Water Feed:** Twin

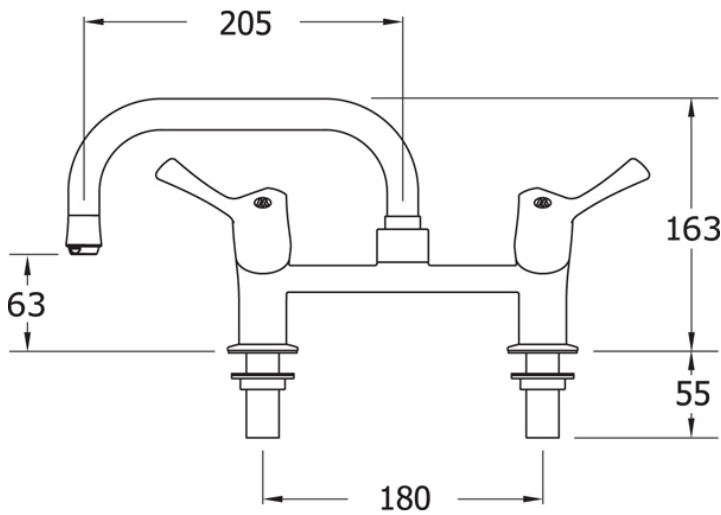


### FEATURES & BENEFITS

- Ergonomic in design and functionality.
- Modern, hygienic and practical design comes pre-assembled ready to install.
- All assembled models are factory tested up to 6 bar for quality assurance.
- Complete interchangeability between all bodies, spouts and pre-rinses means that product use can easily be changed on site at a later date.
- Includes PosiStop protected lever and dome heads for long life and reliability for all models
- NOTE: When ordering a LEVER operated 30 range model for dish washing stations you will need a minimum of 120mm clearance for the lever handles when in the 'OPEN' position. We recommend your order DOME models for this application.

### TECHNICAL INFO

- Connections: ½-inch
- Height: 163mm
- Recommended static water pressure range: 1.5 - 5 bar
- Flow rates for all TX-B-30 models - tested at 3 bar pressure: Fitted with WATER-SAVING diffuser: 3.70 l/m (INCLUDED) Fitted with STANDARD diffuser: 9.33 l/m



Dimensions are in millimeters. If a Cad file is required please visit [www.mechline.com](http://www.mechline.com).



MECHLINE DEVELOPMENTS LIMITED

Tel: +44 (0)1908 261511 | Email: [info@mechline.com](mailto:info@mechline.com) | Web: [www.mechline.com](http://www.mechline.com)