



UNIUrban

BSS461 LED40 WW 110-277V CLASSIC

UNIUrban - 4000 lm - 33 W - 3000 K

UNIUrban is ideal for the urban lighting across the sidewalks, parks, gardens, residential areas, shopping center plazas. Its exquisite, stylish yet classic design is not only suitable for modern cities but also for historical architecture.

Product data

General Information	
Light source color	Warm white
Light source replaceable	No
Driver included	Yes
Optical cover/lens type	Polycarbonate micro lens optic
Control interface	-
Connection	Flying leads/wires
Cable	Cable 0.6 m without plug
Protection class IEC	Safety class I
Flammability mark	-
CE mark	CE mark
Constant light output	No
Light source engine type	LED
Serviceability class	Class A, luminaire is equipped with serviceable parts (when applicable): LED board, driver, control units, surge protection device, optics, front cover and mechanical parts
Light Technical	
Standard tilt angle posttop	-

Operating and Electrical	
Input Voltage	110 to 277 V
Input Frequency	50 to 60 Hz
Power Factor (Min)	0.95
Controls and Dimming	
Dimmable	No
Mechanical and Housing	
Housing Material	Aluminum
Optical cover/lens material	Tempered glass
Mounting device	Catenary pole 35mm with Ø 10mm hole
Optical cover/lens finish	Clear
Overall height	371 mm
Overall diameter	482 mm
Color	Gray
Approval and Application	
Ingress protection code	IP65 [Dust penetration-protected, jet-proof]
Mech. impact protection code	IK08 [5 J vandal-protected]

Initial Performance (IEC Compliant)

Initial luminous flux (system flux)	4000 lm
Luminous flux tolerance	+/-10%
Initial LED luminaire efficacy	120 lm/W
Init. Corr. Color Temperature	3000 K
Init. Color Rendering Index	≥70
Initial input power	33 W
Power consumption tolerance	+/-10%

Application Conditions

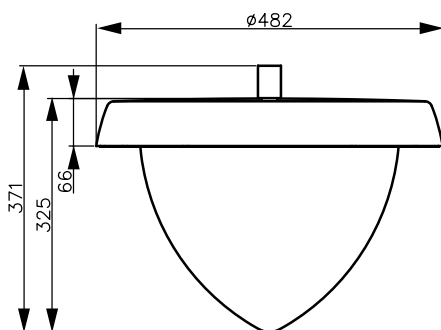
Ambient temperature range	-40 to +50 °C
---------------------------	---------------

Product Data

Full product code	911401727742
Order product name	BSS461 LED40 WW 110-277V CLASSIC
Order code	911401727742
Numerator - Quantity Per Pack	1
Numerator - Packs per outer box	1
Material Nr. (12NC)	911401727742
Net Weight (Piece)	7.649 kg



Dimensional drawing



BSS461 LED40 WW 110-277V CLASSIC

