

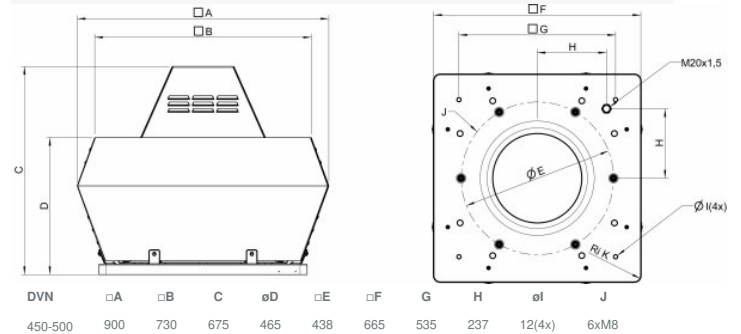


Technical parameters

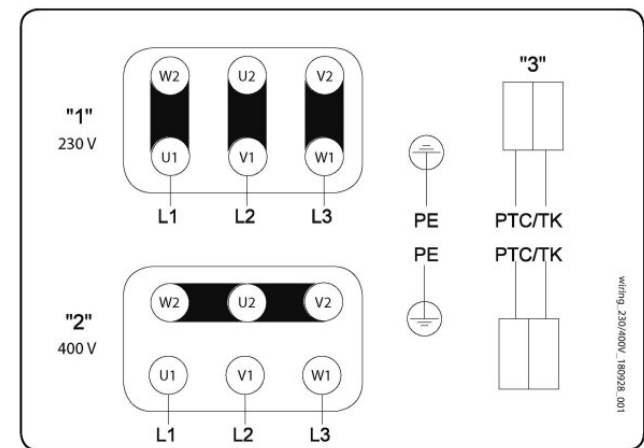
Nominal data	
Voltage (nominal)	400 V
Frequency	50 Hz
Phases	3~
Input power	1,413 W
Input current	2.95 A
Impeller speed	1,430 rpm
Air flow	max 2,177 L/s
Temperature of transported air	max 120 °C
Max temperature of transported air, when speed controlled	120 °C
Sound data	
Sound pressure level at 10m (free field)	48 dB(A)
Sound pressure level at 4m (free field)	56 dB(A)
Protection/Classification	
Enclosure class, motor	IP55
Insulation class	F
Data according to ErP	
ErP ready	Not ErP relevant
Dimensions and weights	
Weight	57.4 kg
Others	
Motor type	AC

Dimension

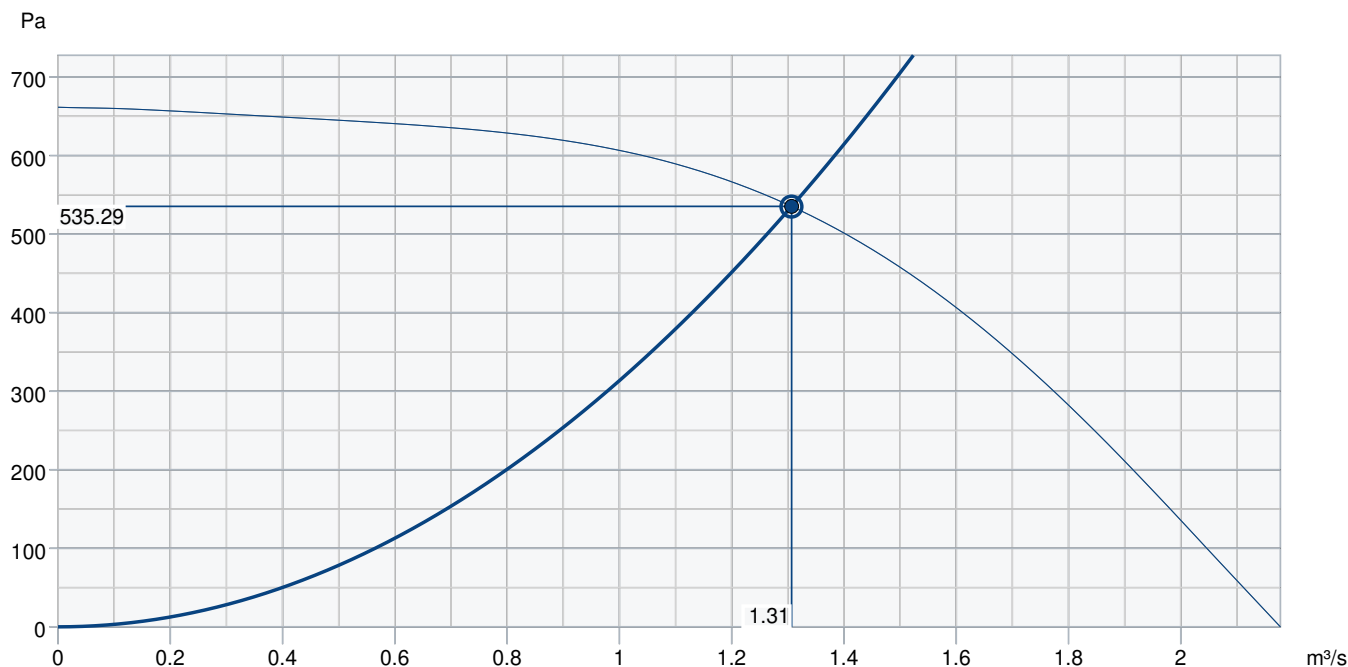
DVN	□A	□B	C	øD	□E	□F	G	H	øI	J
355-400	720	618	600	390	438	595	450	200	12(4x)	6xM8
450-500	900	730	675	465	438	665	535	237	12(4x)	6xM8
560-630	1150	955	900	560	605	939	750	293	14(4x)	8xM8
710	1350	1178	936	660	674	1035	840	320	14(4x)	8xM8
800-900	1690	-	1180	830	872	1255	1050	433	14(4x)	8xM8



Wiring



Performance curve



Hydraulic data

Required air flow	1.31 m³/s
Required static pressure	535 Pa
Working air flow	1.31 m³/s
Working static pressure	535 Pa
Air density	1.204 kg/m³
Power	1,397.6 W
Fan control - RPM	1,431 rpm
Current	2.90 A
SFP	1.069 kW/m³/s
Control voltage	400.0 V
Supply voltage	400 V

Accessories

ASF 355-500 inlet flange DVS (9569)
 ASS 355-500 flex. con. DVS (9576)
 Frequency converter FRQ5-4A (36229)
 Frequency converter FRQS-4A (36231)
 REV-5POL/05-7.5kW R/Y (33979)
 TDA DV 450-500 Adapter (301394)
 SDS 450-500 slant. roof socket (3786)
 FDS 450/500 flat roof socket (9551)
 FTG 450/499/500 Tilting device (30248)
 VKS 355-500 Back draft damper (9544)

ASK 450/500 inflow box SSD (300907)
 Frequency converter FRQ-4A (36227)
 Frequency converter FRQ5S-4A (36233)
 Frequency converter FXDM5AM (31387)
 SSD 450-500 socket silencer (9563)
 U-EK230E Motor protection (30199)
 SSS 450 slant. socket silencer (30078)
 FDS-L 450/500 flat roof socket (95282)
 VKM 355-500 Back draft damper (9556)
 DVN 500D4 (87807)

Documents

MANUAL_ROOF_FANS_EN_002_.PDF
 EU DECLARATION OF CONFORMITY_THERMOFANS_EN_004.PDF