

8FG30 8FD30

MAIN VEHICLE SPECIFICATIONS

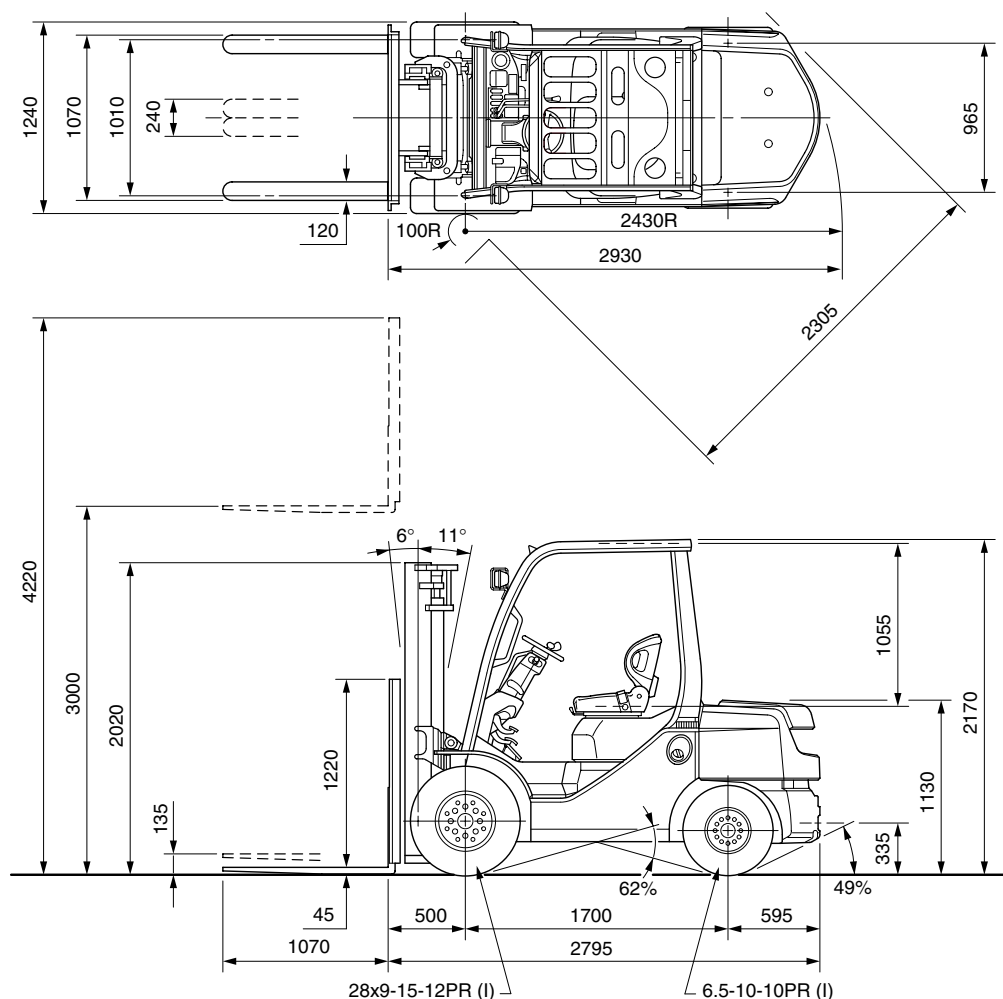
			TOYOTA		TOYOTA		TOYOTA	
			30-8FG30	32-8FG30	60-8FD30	62-8FD30	70-8FD30	72-8FD30
1	Manufacturer		TOYOTA		TOYOTA		TOYOTA	
2	Model		30-8FG30	32-8FG30	60-8FD30	62-8FD30	70-8FD30	72-8FD30
3	Load Capacity	kg	3000		3000		3000	
4	Load Center	mm	500		500		500	
5	Power Type		Gasoline		Diesel		Diesel	
6	Operator Position		Rider Seated		Rider Seated		Rider Seated	
7	Tire Type	Front/Rear	Pneumatic		Pneumatic		Pneumatic	
8	Wheels (x = driven)	Front/Rear	2x/2		2x/2		2x/2	
9	Maximum Fork Height (MFH)	mm	3000		3000		3000	
10	Free Lift	mm	135		135		135	
13	Fork Size	T x W x L	45x120x1070		45x120x1070		45x120x1070	
	Fork Spread (Outside)	MAX./MIN.	1070/240		1070/240		1070/240	
14	Tilt Range	FWD/BWD	6/11		6/11		6/11	
15	Length to Fork Face	mm	2795		2795		2795	
16	Overall Width	mm	1240		1240		1240	
17	Mast Lowered Height	mm	2020		2020		2020	
18	Mast Extended Height	mm	4220		4220		4220	
19	Overhead Guard Height	mm	2170		2170		2170	
21	Turning Radius (Outside)	mm	2430		2430		2430	
22	Load Distance (Centerline of front axle to front face of forks)	mm	500		500		500	
	Rear Overhang	mm	595		595		595	
23	Basic Right Angle Stacking Aisle Width (Add load length and clearance)	mm	2930		2930		2930	
24	Travel, Max. (FWD/RVS)	Full Load	18.5/18.5	18.5/18.5	19.5/19.5	17.5/17.5	19.5/19.5	18.5/18.5
		No Load	19.0/19.0	19.0/19.0	20.0/20.0	18.0/18.0	20.0/20.0	19.0/19.0
25	Speeds	Lifting	510	510	500	500	550	550
		No Load	550	550	530	530	570	570
26	Lowering	Full Load	500	500	500	500	500	500
		No Load	500	550	500	500	500	500
28	Max. Drawbar Pull	Full Load	16800 (1710)	18000 (1840)	16700 (1700)	19600 (2000)	19700 (2010)	19500 (1990)
		No Load	10300 (1050)	10300 (1050)	10400 (1060)	10400 (1060)	10600 (1080)	10600 (1080)
	Max. Drawbar Pull at 1.5km/h *	Full Load	—	15300 (1560)	—	17600 (1790)	—	17000 (1730)
29	Gradeability at 1.5 km/h *	Full Load	—	22	—	25	—	24
30	Max. Gradeability *	Full Load	23	25	23	28	27	27
		No Load	20	20	20	20	20	20
32	Total Weight	kg	4230		4270		4330	
33	Weight Distribution	Full Load	6200	6200	6230	6230	6260	6260
		Rear	1030	1030	1040	1040	1070	1070
34	No Load	Front	1460	1460	1500	1500	1520	1520
		Rear	2770	2770	2770	2770	2810	2810
35	Number	Front/Rear	2/2		2/2		2/2	
36	Tires	Front	28x9-15-12PR (I)		28x9-15-12PR (I)		28x9-15-12PR (I)	
37		Rear	6.5-10-10PR (I)		6.5-10-10PR (I)		6.5-10-10PR (I)	
38	Wheelbase	mm	1700		1700		1700	
39	Tread	Front	1010		1010		1010	
		Rear	965		965		965	
	Backrest Height	mm	1220		1220		1220	
	Overhead Guard Clearance	mm	1055		1055		1055	
	Counterweight Height	mm	1130		1130		1130	
	Drawbar Pin Center Height	mm	335		335		335	
	Step Height/Floor Height	mm	495/730		495/730		495/730	
40	Underclearance	Min. with Load	135		135		135	
41	Center of Wheelbase	mm	205		205		205	
	Grade Clearance	Frame/Counterweight	62/49		62/49		62/49	
42	Brake	Service (Foot)	Hydraulic		Hydraulic		Hydraulic	
43		Parking	Hand	Foot	Hand	Foot	Hand	Foot
45	Battery	Voltage/Capacity (5HR)	12/27		12/55		12/64	
49	Make/Model		TOYOTA/4Y		TOYOTA/1DZ-II		TOYOTA/2Z	
50	Rated Horsepower/r.p.m.	kW (JIS ps)	43/2600 (58/2600)		44/2600 (60/2600)		49/2200 (66/2200)	
51	Rated Torque/r.p.m.	N-m (JIS kg-m)	162/1800 (16.5/1800)		167/1600 (17.0/1600)		216/1600 (22.0/1600)	
52	Internal Combustion Engine	Number of Cylinder	4		4		4	
		Piston Displacement	2237		2486		3469	
		Fuel Tank Capacity	60		60		60	
55	Transmission	Type	Manual	Powershift	Manual	Powershift	Manual	Powershift
		Stage	2/2	1/1	2/2	1/1	2/2	1/1
57	Operating Pressure	For Attachments	14.7 (150) <2100>		14.7 (150) <2100>		14.7 (150) <2100>	

NOTE: * Computed values.

DIMENSIONAL DRAWINGS

8FG/8FD30

Unit: mm



UNDERCLEARANCE

Mast	135
Drive Axle	150
Steer Axle	180
Center of Wheelbase	205
Counterweight	175

SPECIAL TREAD

Model		8FG/8FD30	
Front Tire	Single/Dual	Dual	Dual
Front Tire Size		6.00-15-10PR (I)	28x8-15-12PR (I)
Overall Width	mm	1520	1675
Tread, Front	mm	1150	1240

SPECIAL MAST

Wide Visible Full-Free Lift Two-Stage Mast (FV), Wide Visible Full-Free Lift Three-Stage Mast (FSV)

Model		8FG30		60-8FD30 62-8FD30		70-8FD30 72-8FD30		8FG30		60-8FD30 62-8FD30		70-8FD30 72-8FD30		
Type of Mast		FV				FSV								
PERFORMANCE														
Speeds	Lifting	Full Load	mm/sec	450	445	480	480	470	510					
		No Load	mm/sec	490	480	500	520	500	530					
	Lowering	Full Load	mm/sec			460			460					
		No Load	mm/sec			390			420					
DIMENSIONS														
Load Distance (Centerline of front axle to front face of forks)		mm		505				520						

RATED CAPACITIES

8FG/8FD30

Unit: kg (W)

V, FV Mast (PN)

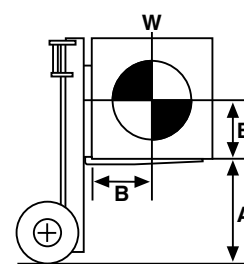
A (mm)	4500	5000
500	3000	2600 [3000]
600	2720	2360 [2720]
700	2500	2160 [2500]
800	2310	2000 [2310]
B (mm)	2140	1850 [2140]
1000	2000	1730 [2000]
1100	1870	1620 [1870]
1200	1760	1530 [1760]
1300	1670	1440 [1670]

[] for dual tire models.

V, FV Mast (PSC)

A (mm)	4500	5000
500	3000	2750 [3000]
600	2720	2500 [2720]
700	2500	2290 [2500]
800	2310	2110 [2310]
B (mm)	2140	1960 [2140]
1000	2000	1830 [2000]
1100	1870	1720 [1870]
1200	1760	1620 [1760]
1300	1670	1530 [1670]

[] for dual tire models.



A: Max. Fork Height
B: Load Center
W: Capacity

FSV Mast (PN)

A (mm)	4700	5000	5500	6000	6500	7000
500	3000	2600 [2950]	1900 [2650]	1500 [2050]	— [1600]	— [1200]
600	2730	2360 [2680]	1730 [2410]	1360 [1860]	— [1450]	— [1090]
700	2500	2170 [2460]	1580 [2210]	1250 [1710]	— [1330]	— [1000]
800	2310	2000 [2270]	1460 [2040]	1150 [1580]	— [1230]	— [920]
B (mm)	2150	1860 [2110]	1360 [1900]	1070 [1470]	— [1140]	— [860]
1000	2010	1740 [1970]	1270 [1770]	1000 [1370]	— [1070]	— [800]
1100	1880	1630 [1850]	1190 [1660]	940 [1290]	— [1000]	— [750]
1200	1770	1540 [1740]	1120 [1570]	880 [1210]	— [940]	— [710]
1300	1680	1450 [1650]	1060 [1480]	840 [1140]	— [890]	— [670]

[] for dual tire models (PN or PSC).

FSV Mast (PSC)

A (mm)	4700	5000	5500	6000
500	3000	2750	2050	1650
600	2730	2500	1860	1500
700	2500	2290	1710	1370
800	2310	2120	1580	1270
B (mm)	2150	1970	1470	1180
1000	2010	1840	1370	1100
1100	1880	1730	1290	1030
1200	1770	1630	1210	970
1300	1680	1540	1140	920

MAST SPECIFICATIONS & RATED CAPACITIES

Wide Visible Mast (V), Wide Visible Full-Free Lift Two-Stage Mast (FV), Wide Visible Full-Free Lift Three-Stage Mast (FSV)
8FG/8FD30

Mast Type	Maximum Fork Height	Overall Height				Free Lift		Single Tire				Dual Tire			
		Lowered	Extended		Without Load Backrest	With Standard Load Backrest	Tilt Range		Load Capacity at 500 mm LC		Tilt Range		Load Capacity at 500 mm LC Pneumatic Tire/ Pneumatic-Shaped Cushion Tire		
			Without Load Backrest	With Standard Load Backrest			FWD	BWD	Pneumatic Tire	Pneumatic-Shaped Cushion Tire	FWD	BWD			
														mm	mm
V	2700	1865	3440*	3920	135	135	6	11	3000	3000	6	11	3000		
	3000	2015	3740*	4220	135	135	6	11	3000	3000	6	11	3000		
	3300	2165	4040*	4520	135	135	6	11	3000	3000	6	11	3000		
	3500	2265	4240*	4720	135	135	6	11	3000	3000	6	11	3000		
	3700	2425	4440*	4920	135	135	6	11	3000	3000	6	11	3000		
	4000	2615	4740*	5220	135	135	6	11	3000	3000	6	11	3000		
	4500	2865	5240*	5720	135	135	6	6	3000	3000	6	11	3000		
5000	3115	5740*	6220	135	135	6	6	2600	2750	6	6	3000			
FV	3000	2015	3655	4260	1400	795	6	11	3000	3000	6	11	3000		
	3300	2165	3955	4515	1550	990	6	11	3000	3000	6	11	3000		
	3500	2265	4155	4715	1650	1090	6	11	3000	3000	6	11	3000		
	3700	2425	4355	4915	1810	1250	6	11	3000	3000	6	11	3000		
	4000	2615	4655	5215	2000	1440	6	11	3000	3000	6	11	3000		
FSV	3700	1915	4315	4920	1300	695	6	6	3000	3000	6	6	3000		
	4000	2015	4615	5220	1400	795	6	6	3000	3000	6	6	3000		
	4300	2165	4915	5520	1550	945	6	6	3000	3000	6	6	3000		
	4500	2215	5115	5720	1600	995	6	6	3000	3000	6	6	3000		
	4700	2265	5315	5920	1650	1045	6	6	3000	3000	6	6	3000		
	5000	2425	5615	6220	1810	1205	6	6	2600	2750	6	6	2950		
	5500	2615	6115	6720	2000	1395	6	6	1900	2050	6	6	2650		
	6000	2865	6615	7220	2250	1645	6	6	1500	1650	6	6	2050		
	6500	3115	7115	7720	2500	1895	—	—	—	—	6	6	1600		
	7000	3365	7615	8220	2750	2145	—	—	—	—	6	6	1200		

NOTE: Height of standard load backrest is 1220 mm.
* with A4 piping, minus 20 mm.