

# PERFORMANCE DATA

PAVER (TIER 3)

BF 800 C



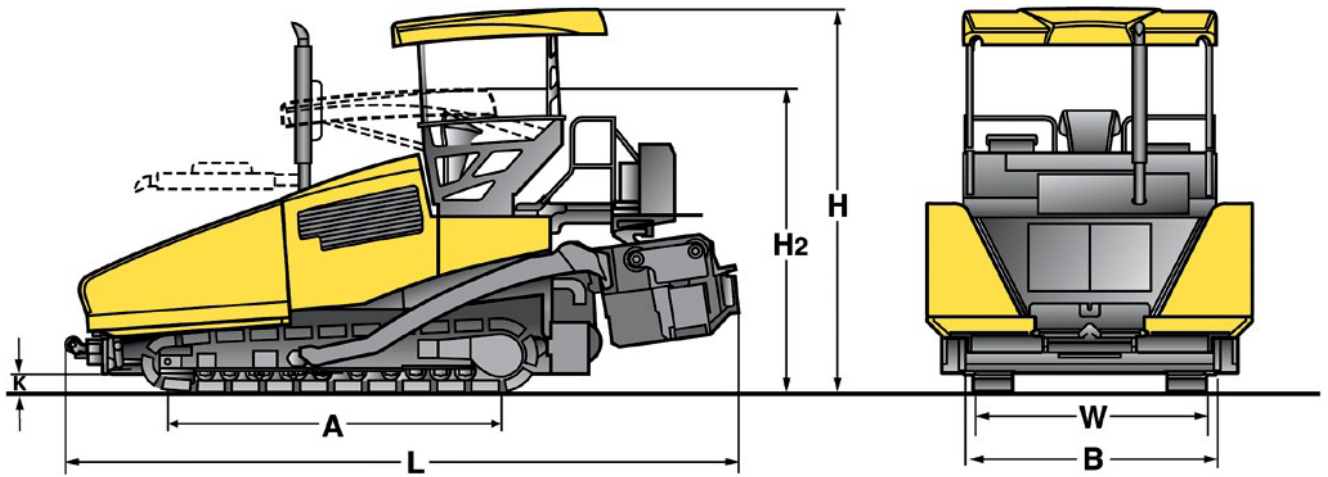
Greatest durability



Shorter set-up times



Exemplary efficiency



**Dimensions in mm**

	<b>A</b>	<b>B</b>	<b>H</b>	<b>H<sub>2</sub></b>	<b>L</b>	<b>W</b>
<b>BF 800 C S 500</b>	3360	2550	3865	3055	6800	2550
<b>BF 800 C S 600</b>	3360	3000	3865	3055	6800	3000



Save up to 17 % fuel – demand-driven hydraulics – with BOMAG ECOMODE.



Heats up nearly 60 % quicker – unique MAGMALIFE heating system.



Attaching is up to 48 % quicker – thanks to the BOMAG QUICK COUPLING SYSTEM.



The right position in each situation – the comfortable driver's cabin.

**Technical Data****BOMAG  
BF 800 C S 500****Weight CECE**

With S 500 screed / with S 600 screed .....	kg	22000 / 22500
---------------------------------------------	----	---------------

**Dimensions**

Transport length .....	mm	6800
Transport width .....	mm	2550 / 3000
Transport height .....	mm	3055

**Travel characteristics**

Travel speed (1) .....	km/h	0-4,5
Working speed (1) .....	m/min	0-25

**Drive**

Engine manufacturer .....	DEUTZ
Type .....	TCD 2012 L06
Exhaust classification.....	Stage III a / Tier 3
Cooling .....	Water
Number of cylinders.....	6
Rated power ISO 3046.....	kW 135
Speed .....	min <sup>-1</sup> 2000

**Crawler assembly**

Crawler track .....	
-Axle base .....	mm 2700
-Width.....	mm 300

**Hopper**

Capacity .....	m <sup>3</sup> 7,2
Width (wings open).....	mm 3320
Width (wings closed).....	mm 2250
Length .....	mm 2010
Filling height (middle) .....	mm 500

**Scraper belt / auger**

Number.....	2
Width .....	mm 400
Speed .....	U/min 60
Individual control .....	Standard
Reversing operation .....	Standard

**Conveyor auger**

->Number .....	2
->Auger diameter .....	mm 400
->Rotary speed .....	U/min 95
->Reversing operation.....	Standard

**Screed**

		S 500 / S 600
Screed type .....		S 500 / S 600
Basic width retracted .....	mm	2550 / 3000
Basic width extended.....	mm	5000 / 6000
Max. working width.....	mm	9000 / 10000
min. width with reduction skids .....	mm	1800 / 2300
Mat thickness .....	mm	300
Smoothing plate depth.....	mm	400
Smoothing plate thickness.....	mm	15
Heating .....		Elektric
Crown .....	%	-2,5 ... +4,5
Tamper frequency.....	Hz	0-29
Vibration frequency .....	Hz	20-58
Basic weight.....	kg	4400 / 4900

**Filling capacities**

Fuel.....	l	315
Hydraulic oil.....	l	160

### Standard equipment

- SIDEVIEW
- Driver's seat: with swivel and side-shift
- Protection; dashboard
- Hydraulic hinged roof
- Digital display for machine management
- Separate control of hopper wings
- Cleaning kit
- Hydraulic, height adjustable auger
- L.C.S. Screed relief and traction increase system
- Screed temperature control
- Cast heating elements
- Automatic screed heating
- Hydraulic screed control
- Crown adjustment
- 6 work lights
- Side control of auger/scrapper belts
- Tools
- Rubber track plates
- 30 kVA generator
- Socket 2 x 240 volt
- 2 proportionally controlled and reversible wear-resistant cast augers; screw blades separately replaceable
- 2 independent and reversible scrapper belts; high- wear resistant plates

### Optional equipment

- Hydraulic hopper front flap
- Hydraulic/electric movable platform
- Hydraulic crown adjustment
- Hinged side plates
- Heated side plates
- Side windscreened platform
- Seat warmer
- Asphalt steam extraction
- Biologically degradable hydraulic oil
- Central lubrication system
- Optional paint finish
- S 500 + S 600 extensions:
  - 250 mm
  - 750 mm
  - 1250 mm
- Reduction shoe
- Edge shaper 45°/60°
- Light balloon
- Socket 2 x 240 volt
- Levelling systems: Height and cross-slope sensing by means of ultrasonic or mechanical sensors
- Track scraper
- Ultrasonic sensors for conveyor belt control

