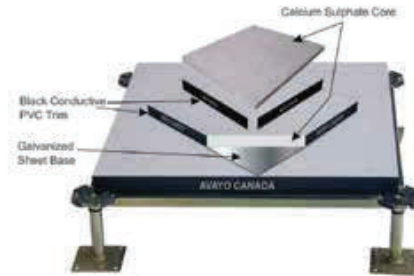


Calcium Sulphate Panel

Calcium Sulphate Panels

These panels are made with heavy duty calcium sulphate core glued to galvanized steel bottom and antistatic finish at the top. The bottom steel varies from 0.6 mm to 1.0mm as per loading capacity and the edge of the panel protected with conductive PVC coating to prevent panels from moisture and damage. These panels are highly recommended for data centre application due to its moisture free, sound proof and emission free properties.



Cross Section Cut-off Panel

Panel Type	: Calcium Sulphate panel
Size	: 600x600mm
Construction	: Calcium sulphate core glued to bottom steel.
Core Material	: Heavy Duty Calcium Sulphate
Top Finish	: Antistatic HPL or Vinyl
Panel Thickness	: 32-34mm
Edge Protection	: PVC Edging
Fire Rating	: Class 0



Calcium Sulphate Panels with top finish

Part No.	Concentrated Load	Design Load	Ultimate Load	Uniform Load	Impact Load	Rolling Load @ 10 passes	Rolling Load @ 10,000 passes
AVR-CS-6029HPL/V(35)	3.5 kN	5.5 kN	11.0 kN	16.0 kN	670 N	3.5 kN	2.5 kN
AVR-CS-6032HPL/V(45)	4.5 kN	6.5 kN	13.5 kN	23.0 kN	712 N	4.5 kN	3.5 kN
AVR-CS-6032HPL/V(55)	5.5 kN	8.0 kN	16.5 kN	33.0 kN	712 N	5.5 kN	4.5 kN

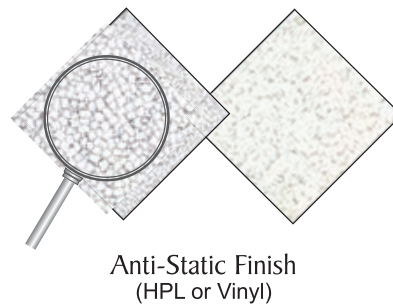
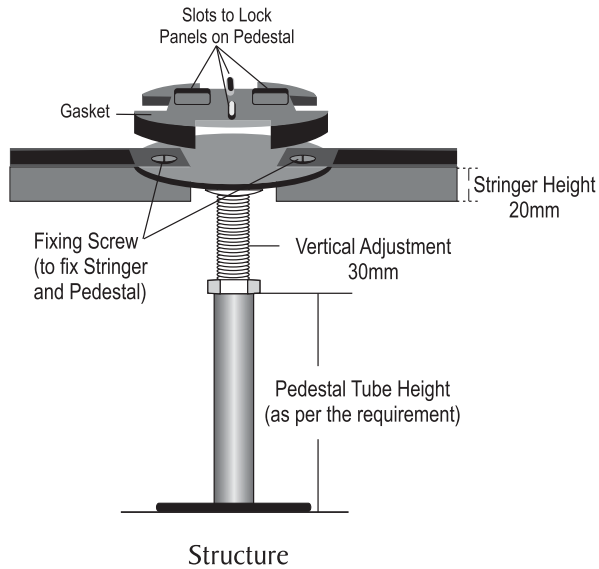
Calcium Sulphate Panel

Characteristics

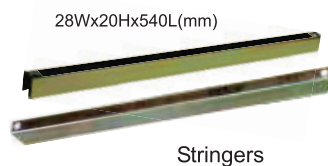
Prevent static validly, Fire Proof, Dust Proof, Electromagnetic Shielding, Low wearability, Strong Pressurization.

Application

Communication Rooms, Satellite Rooms, Research Centers, Main Control Rooms, Micro Electronics Workshop .



Pedestal (size 150mm - 1000mm)



Calcium Sulphate Panels Steel Encapsulated

Part No.	Concentrated Load	Design Load	Ultimate Load	Uniform Load	Impact Load	Rolling Load @10 passes	Rolling Load @10,000 passes
AVR-CS-6029E(35)	3.5 kN	5.5 kN	11.0 kN	16.0 kN	670 N	3.5 kN	2.5 kN
AVR-CS-6032E(45)	4.5 kN	6.5 kN	13.5 kN	23.0 kN	712 N	4.5 kN	3.5 kN
AVR-CS-6032E(55)	5.5 kN	8.0 kN	16.5 kN	33.0 kN	712 N	5.5 kN	4.5 kN