

robot coupe®

NEW

R301 Series D

Long-lasting, reliable motor requires minimum maintenance.

New ergonomic shape and material of Veg Prep attachment has maximum cleanability and has a better resistance to cleaning agents.

Higher hub for 10% increased liquid capacity.

Pulse function for greater cutting precision

Mechanical Magnetic safety system.

Improved discharge plate with the addition of two large ribs for extra sling action.

New ergonomic shaped handle for easier handling.

New motor base design with integrated ventilation system and improved cord position.

1 Year Parts and Labor Warranty.

R301U Series D

Same product enhancements as the R301 Series D with the addition of a **stainless steel bowl.**

Robot Coupe USA, Inc.

P O Box 16625

Jackson, MS 39236

Phone: 800-824-1646

Fax: 601-898-9134

Website: www.robotcoupeusa.com

email: info@robotcoupeusa.com



R301 & R301U

Commercial Food Processor

Specifications

R301 SERIES D STANDARD MODEL: includes motor base unit with gray ABS plastic cutter bowl, stainless steel "S" blade, continuous feed attachment, one 1/8" (3mm) slicing disc and one 1/8" (3mm) medium grating disc and discharge plate.

R301U SERIES D STANDARD MODEL: includes motor base unit with stainless steel cutter bowl, stainless steel "S" blade, continuous feed attachment, one 1/8" (3mm) slicing disc and one 1/8" (3mm) medium grating disc and discharge plate.

ELECTRICAL REQUIREMENTS: 120V, 60Hz, 9 Amps, single phase. Contact your local electrician for local code requirements.

SWITCHING: Control panel with push-type on / off and pulse buttons.

MOTOR: 1.5 HP, 1725 RPM, direct-drive, fan-cooled.

WEIGHT: 40 lbs. net, 42 lbs. approximate shipping weight.

Available Disc Selection

Slicing Discs

- 27051 - 1/32" (1mm)
- 27555 - 5/64" (2mm)
- 27086 - 1/8" (3mm)
- 27566 - 5/32" (4mm)
- 27087 - 3/16" (5mm)
- 27786 - 1/4" (6mm)

Ripple Cut Slicers

- 27621 - 5/64" (2mm)

Graters

- 27588 - 1/16" (1.5mm)
- 27577 - 5/64" (2mm)
- 27511 - 1/8" (3mm)
- 27046 - 1/4" (6mm)
- 27632 - 11/32" (9mm)
- 27078 - Hard Cheese Grate

Pulping

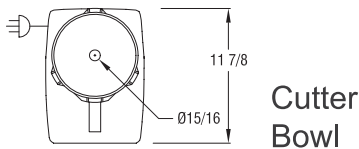
- 27079 - Fine pulping disc
- 27764 - Pulping disc

Julienne

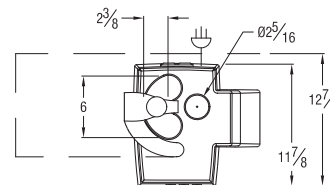
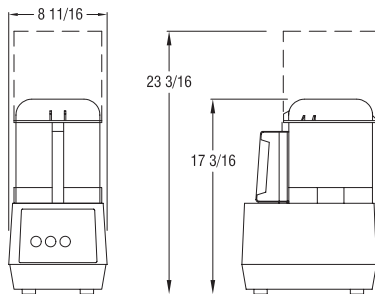
- 27599 - 5/64" (2x2mm)
- 27080 - 5/64" x 5/32" (2x4mm)
- 27081 - 5/64"x1/4" (2x6mm)
- 27047 - 5/32" (4x4mm)
- 27610 - 1/4" (6x6mm)
- 27048 - 5/16" (8x8mm)

OPTIONAL EQUIPMENT: 19 additional processing discs.

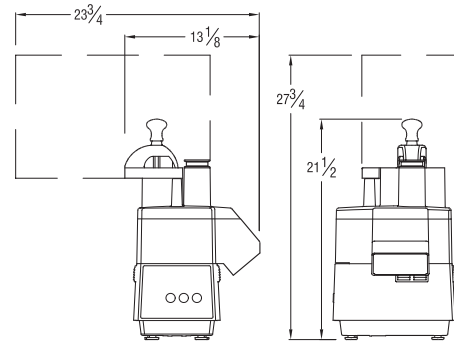
STANDARDS: ETL electrical & sanitation, cETL (Canada)



Cutter Bowl



Veg Prep



Robot Coupe U.S.A., Inc.
 P.O. Box 16625
 Jackson, MS 39236-6625
 1-800-824-1646
 (601) 898-8411
 FAX: (601) 898-9134
 www.robotcoupeusa.com
 e-mail: info@robotcoupeusa.com

Distributed by: