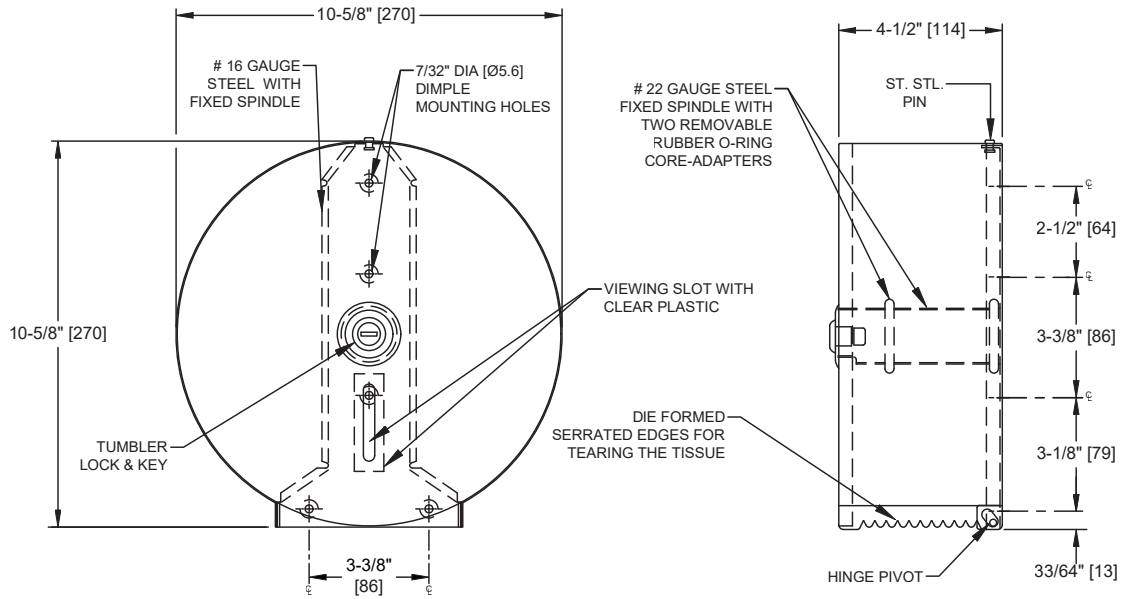


Single Jumbo Roll Toilet Tissue Dispenser – Round – Surface Mounted

Toilet Tissue Dispensers

MasterFormat Section 10 28 13



SUSTAINABILITY/LEED

MR 4.1 (1) MR 6 (1) EQ 4.2 (1)
MR 4.2 (1) EQ 4.1 (1) EQ 4.4 (1)

NOTE:
ALL DIM'S INCH [MM]
ILLUSTRATION FOR REF ONLY AND NTS

PRODUCT OVERVIEW

Holds one roll up to 10" diameter [Ø254] of 1-5/8" Dia. [41] or 2-1/4" Dia. [Ø57] core. Outer cover is 22 gauge type 304 stainless steel with a satin finish. Unit has viewing slot and tumbler lock.

KEY FEATURES & SPECIFICATIONS

- Jumbo Roll Dispenser
- Holds one roll up to 10" Dia. [Ø54]
- Type 304 Stainless Steel - Satin Finish
- Surface Mounted

OPERATION & MAINTENANCE

One (1) 10" [Ø254] outside diameter jumbo roll of toilet paper is mounted over 2-1/4" [Ø57] inside diameter (ID) core adapter. One roll with (1) 1- 5/8" [Ø41.3] ID core may be used by removing the rubber core adapter rings. Viewing slot continuously reveals tissue level. Key locked cover prevents unauthorized access or removal. Roll is replaced on a cycle determined by maintenance needs.

TECHNICAL INFORMATION / PRODUCT PROPERTIES

Property	Value
Dimensions	10-5/8" [270] W x 10-5/8" [270] H x 4-1/2" [114] D
Construction	Type 304 Stainless Steel - Satin Finish
Mounting	surface Mounted
Capacity	Holds one roll up to 10" Dia. [Ø254] rolls

INSTALLATION

For general utility surface mount unit within 12" [305] of front of toilet from center line and 31" [787] above finished floor (AFF) from bottom of unit with five (5) screws (by others) through mounting holes provided. For compliance with 2010 ADA Accessibility Standards and ABA Standards 2015, install unit so that center line of dispenser is 7" [178] min to 9" [229] max in front of toilet and dispenser outlet is 15" [381] min AFF to 48" [1219] max AFF.

OPTIONS