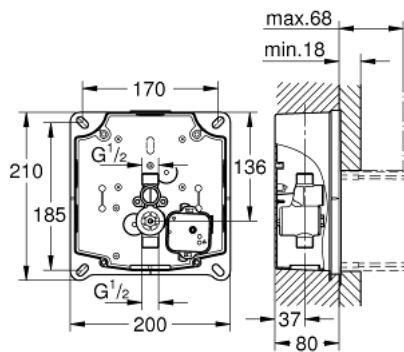


37 338 000 **GROHE RAPIDO U**



**PRODUCT DESCRIPTION**

- roughing-in set for urinal
- for manual actuation or Tectron infra-red electronic 6 V or 230 V
- stop valve
- flow pressure min 0.5 bar
- operating pressure max 10 bar
- flush aid
- functional unit checked ex factory
- water supply connections 1/2" outer thread
- connecting box for mains supply
- installation box with gasket
- fixing points for dry cladding and masonry-in
- shortable inspection shaft incl. protection



## 37 338 000 GROHE RAPIDO U

### SPARE PARTS, November 2015 – now

- 1: Supply stop (Spare part-nr. 43392000)
- 2: Switching power supply (Spare part-nr. 42470000)
- 3: Revision shaft

(Spare part-nr. 66838000)

