

## FEATURES

- Advanced Kinesis Sensing Technique: Prevent the malfunction from strong light, reflection and darker colors, better performance than traditional IR sensing Suitable for wide choice of lavatory materials
- Water-saving & Comfortable: Splash-reduction aerator spray ensures both water-saving and a pleasant user experience.
- Easy installation and maintenance: Water outlet is designed for quick connection to valve box without tools, adjustable length for an easy installation or replacement.
- Durability and reliability Brass spout, resists corrosion and tarnishing, durable in use. PVD options

## PARAMETERS

Power: DC 4 pieces of AA size alkaline batteries

AC 220V, 50/60Hz

Senser Duration: Less than 0.75s

Shut-off Delay: 0.5~1s

Sensing Distance: Automatic adjustment

Flow Rate: No more than 2.0L/min at 0.1MPa.

Overtime Flowing Control: Automatically stop flushing when the faucet senses an object for more than 1 minute continuously

Ambient Temperature: 1~55°C

Supply Water Temperature: 0.5~71°C

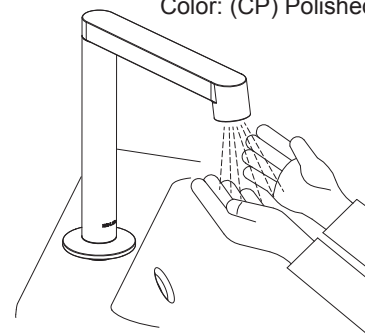
Supply Water Pressure: 0.05~0.86MPa

## COMPONENTS

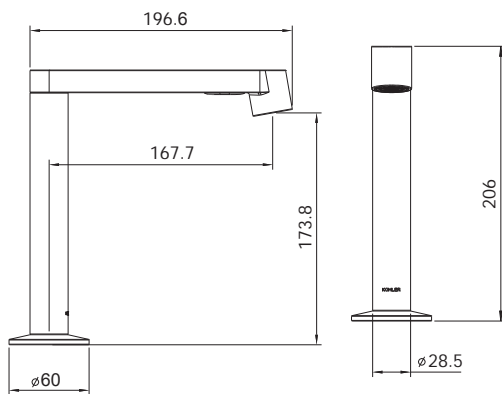
DECK-MOUNT **SENSOR** FAUCET COLD 0.5GPM  
K-EX27460T-NW-CP



Color: (CP) Polished Chrome

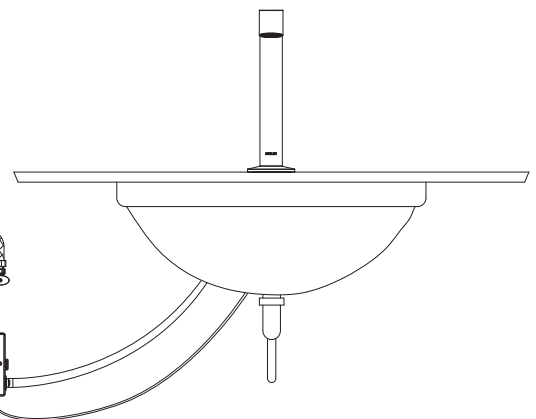


Put your hand in the sensing -range, the faucet should turn on. The faucet should turn off after removal within 0.5~2 seconds. The sensing distance will be adjusted automatically according to the condition of the lavatory and surrounding environment.

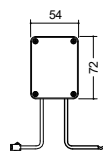


Please prepare external thread angle valve G1/2

Tee hose assy



26845T-NA  
AC/DC Transformer



Output: DC6V

Input: AC220V

HOW TO CHANGE TO MIXING SENSOR FAUCET (If users buy the tee hose assy 1240574-SP)

