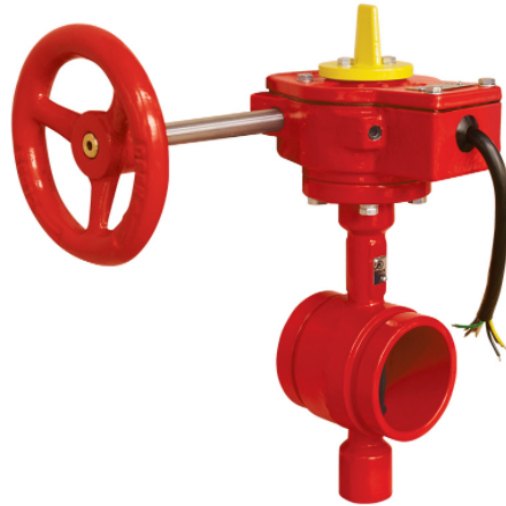


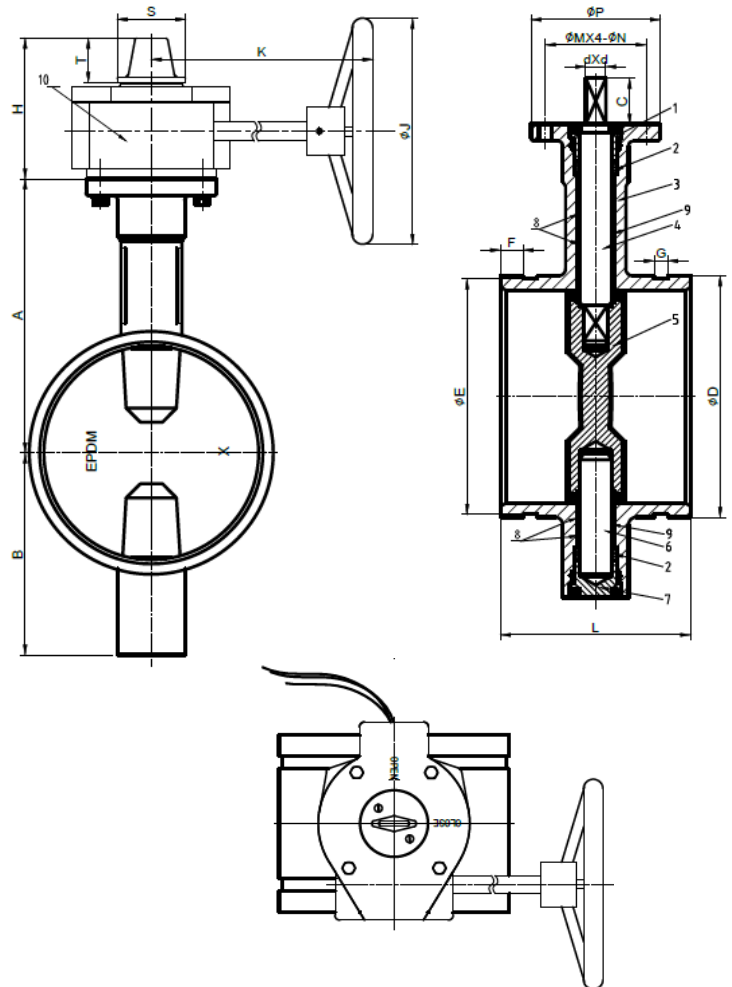
BUTTERFLY VALVES, GROOVED END MODEL: SD-300G-BV

SPECIFICATION

- Working pressure: 300psi
- Connection end: Grooved to AWWA C606
- Temperature: 0°C to 80°C
- Coating: Fusion Bonded Epoxy Coating complies with ANSI/AWWA C550



| Part No. | Part Name | Material |
|----------|-------------------------|---------------------|
| 1 | Upper Shaft Sealing Nut | WCB |
| 2 | Shaft Seal | EPDM |
| 3 | Body | ASTM A536 |
| 4 | Upper Shaft | SS416 |
| 5 | Disc + Rubber Seat | Ductile Iron + EPDM |
| 6 | Lower Shaft | SS416 |
| 7 | Lower Shaft Sealing Nut | WCB |
| 8 | Stem Bush | PTFE/C5400 |
| 9 | O-Ring | EPDM |
| 10 | Gear Box | |



| Size | A | B | C | D | E | F | G | H | K | J | P | M | N | d | L | S | T | |
|------|-----|-----|----|-------|-------|------|------|-----|-----|-----|-----|-----|-----|----|----|-------|----|----|
| 2" | 110 | 85 | 32 | 60.3 | 57.15 | 15.9 | 7.9 | 111 | 153 | 218 | 152 | 90 | 70 | 9 | 10 | 88 | 58 | 46 |
| 2.5" | 125 | 95 | 32 | 73 | 69.1 | 15.9 | 7.9 | 111 | 153 | 218 | 152 | 90 | 70 | 9 | 10 | 96.4 | 58 | 46 |
| | | | | 76.1 | 72.3 | | | | | | | | | | | | | |
| 3" | 140 | 100 | 32 | 88.9 | 84.9 | 15.9 | 7.9 | 111 | 153 | 218 | 152 | 90 | 70 | 9 | 11 | 97 | 58 | 46 |
| 4" | 160 | 100 | 32 | 114.3 | 110.1 | 15.9 | 9.5 | 111 | 153 | 218 | 152 | 90 | 70 | 9 | 14 | 115.1 | 58 | 46 |
| 5" | 170 | 125 | 32 | 139.7 | 135.5 | 15.9 | 9.5 | 111 | 153 | 218 | 152 | 90 | 70 | 9 | 14 | 132.4 | 58 | 46 |
| | | | | 141.3 | 137 | | | | | | | | | | | | | |
| 6" | 190 | 140 | 32 | 165.1 | 160.9 | 15.9 | 9.5 | 111 | 153 | 218 | 200 | 90 | 70 | 9 | 16 | 132.4 | 58 | 46 |
| | | | | 168.3 | 164 | | | | | | | | | | | | | |
| 8" | 230 | 175 | 32 | 219.1 | 214.4 | 19 | 11.1 | 126 | 210 | 232 | 300 | 125 | 102 | 12 | 19 | 147.4 | 65 | 45 |
| | | | | 216.3 | 211.6 | | | | | | | | | | | | | |

Unit : mm