

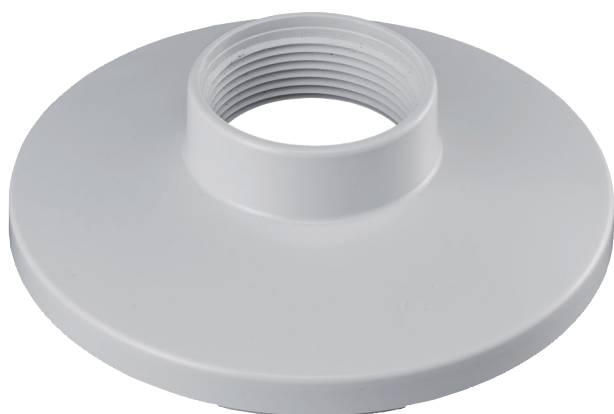
# NDA-5031-PIP Pendant interface plate NDI-4/5000

www.boschsecurity.com



**BOSCH**

Invented for life



- ▶ Pendant interface plate for indoor FLEXIDOME IP 4/5000i
- ▶ Modular design for fast and easy installation
- ▶ Weather resistant finish to maintain cosmetic appearance

This camera-specific accessory is designed for use with the new line of Bosch's universal accessories. The modular camera mounts & accessories are a family of mounts, mounting adapters, pendant interface plates and surveillance cabinets which can be used with a wide range of Bosch cameras. The accessories are easy to install and can be combined to simplify installation in multiple locations whilst retaining the same look and feel.

## Functions

The NDA-5031-PIP is designed especially for indoor use with the FLEXIDOME 4/5000i family.

It provides a safe and robust solution to mount the camera to:

- NDA-U-WMT Pendant wall mount
- NDA-U-PMT Pendant pipe mount

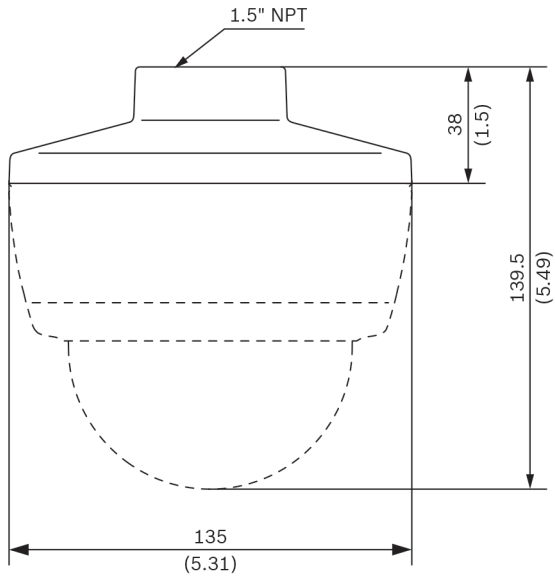
## Parts included

Quantity	Component
1	Pendant interface plate
1	M4 x 12 mm T20 screw

Quantity	Component
4	M4 x 8 mm T20 screw
1	Quick Installation Guide

## Technical specifications

Mechanical	
Dimensions	Φ 135 mm (5 in), H = 38 (1.5 in)
Weight	110 g (0.24 lb)
Standard Color	White (RAL 9003)
Construction Material	Polycarbonate



Dimensions in mm (inch)

### Ordering information

**NDA-5031-PIP Pendant interface plate NDI-4/5000**  
Pendant interface plate for indoor FLEXIDOME IP  
4000i / 5000i.  
Order number **NDA-5031-PIP**

**Represented by:**

**Europe, Middle East, Africa:**  
Bosch Security Systems B.V.  
P.O. Box 80002  
5600 JB Eindhoven, The Netherlands  
Phone: + 31 40 2577 284  
emea.securitysystems@bosch.com  
emea.boschsecurity.com

**Germany:**  
Bosch Sicherheitssysteme GmbH  
Robert-Bosch-Ring 5  
85630 Grasbrunn  
Germany  
www.boschsecurity.com

**North America:**  
Bosch Security Systems, Inc.  
130 Perinton Parkway  
Fairport, New York, 14450, USA  
Phone: +1 800 289 0096  
Fax: +1 585 223 9180  
onlinehelp@us.bosch.com  
www.boschsecurity.us

**Asia-Pacific:**  
Robert Bosch (SEA) Pte Ltd, Security Systems  
11 Bishan Street 21  
Singapore 573943  
Phone: +65 6571 2808  
Fax: +65 6571 2699  
apr.securitysystems@bosch.com  
www.boschsecurity.asia